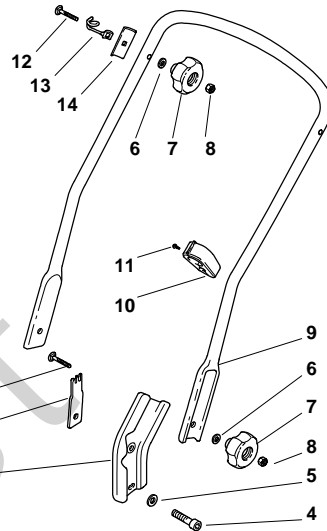


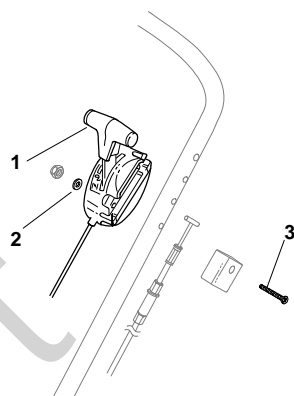
Genuine Spare Parts

**TURBO 50 S
RENTAL**

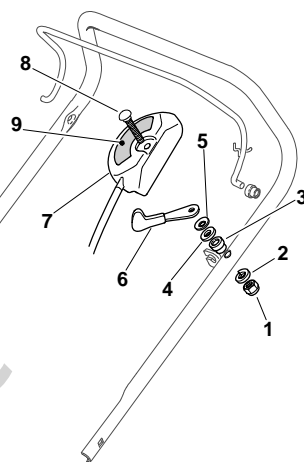




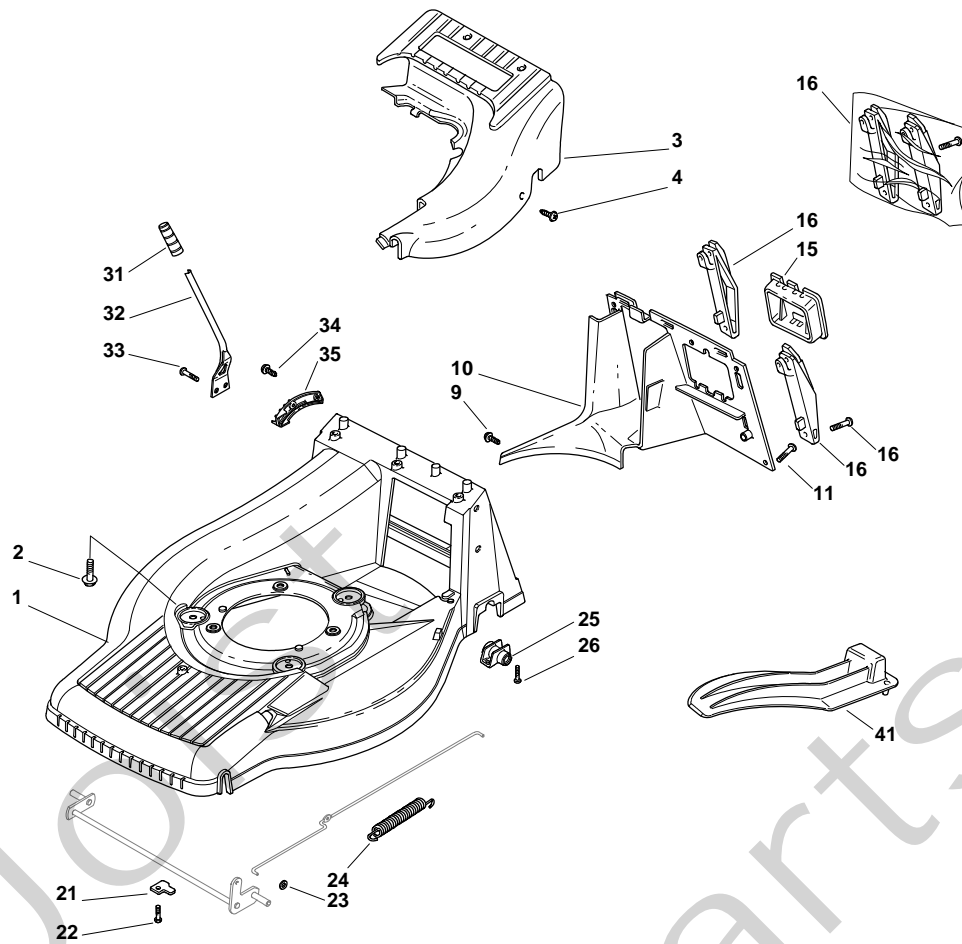
Pos. Fig.	Antal Quantity	Art No Part No	Benämning	Description	Anmärkning Notes
1	2	12820655/0	Skruv	Screw	
2	1	22551635/0	Platta	Plate For Handle	
3	2	22778405/0	Styrfäste	Support	
4	2	12760515/0	Skruv	Screw	
5	2	12521350/0	Bricka	Washer	
6	4	12521350/0	Bricka	Washer	
6	1	81002239/0	Uppsamlingsäck	Box, Fabric	
7	4	22399810/0	Lisratt	Knob	
8	4	12361005/0	Mutter	Nut	
9	1	81006613/0	Styre-underdel	Handle, Lower Part	504-554
9	1	81006613/0	Styre-underdel	Handle, Lower Part	
10	1	22192001/0	Kabelhållare	Anchor Clamp	
11	1	12728691/0	Skruv	Screw	
12	2	12820655/0	Skruv	Screw	
13	1	22430311/0	Ögla	Guide Spring	
14	2	22545137/0	Förstärkning	Plate For Handle Fastening	



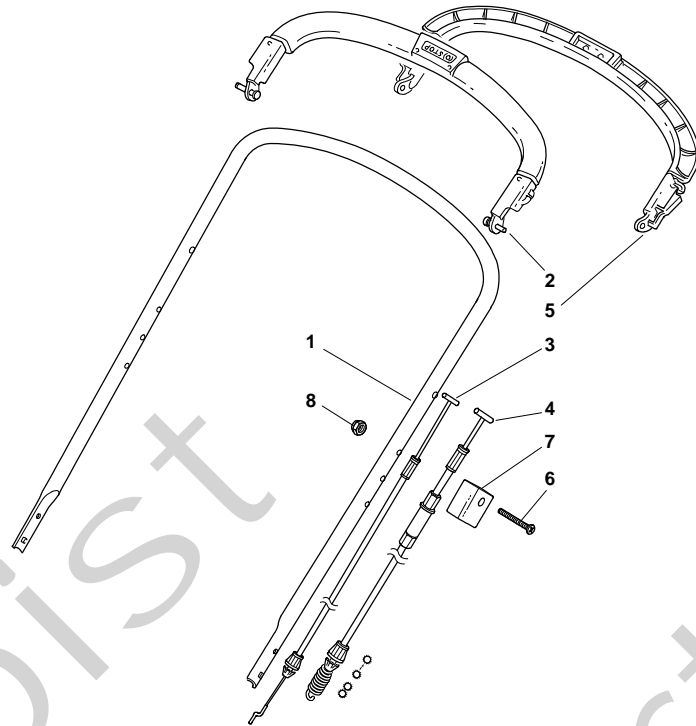
Pos. Fig.	Antal Quantity	Art No Part No	Benämning	Description	Anmärkning Notes
1	1	81007126/0	Gasreglage	Cable, Trottle	
1	1	81007126/0	Gasreglage	Cable, Trottle	(Honda)
1	1	81007128/0	Gaswire	Cable, Trottle	
1	1	81007128/0	Gaswire	Cable, Trottle	(B&S)
2	1	12523040/0	Bricka	Washer	
3	1	12727787/0	Skruv	Screw	



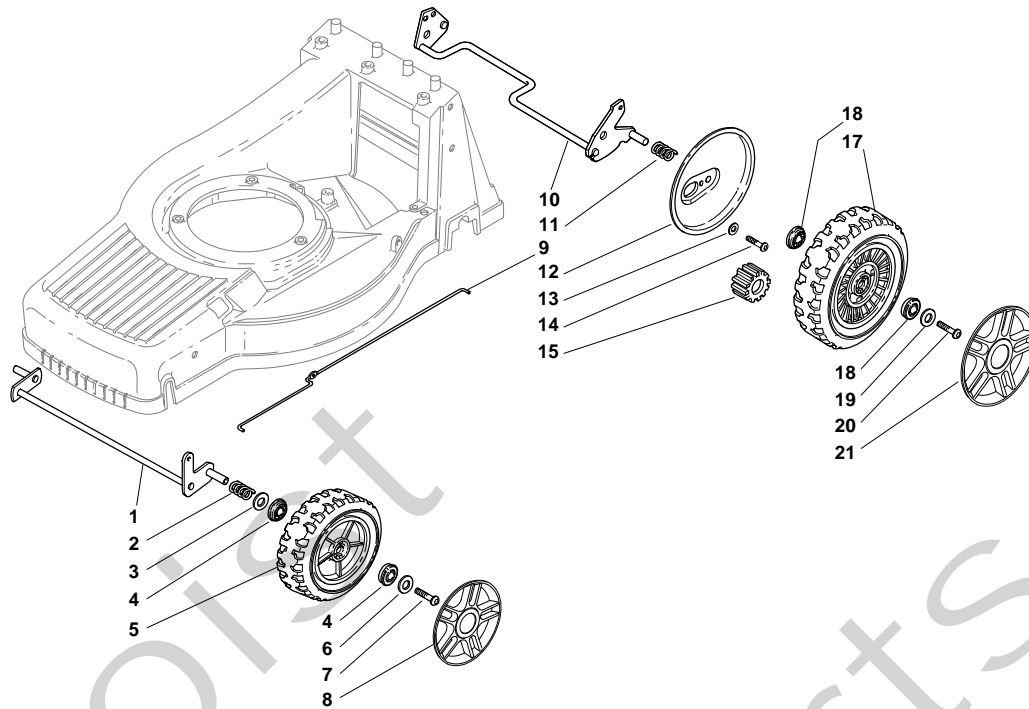
Pos. Fig.	Antal Quantity	Art No Part No	Benämning	Description	Anmärkning Notes
1	1	12291000/0	Mutter	Nut	
2	1	12581500/0	Låsbricka	Grower	
3	1	22171005/0	Distans	Spacer	
4	1	12521360/0	Bricka	Washer	
5	1	12508100/0	Låsbricka	Washer	
6	1	81007220/0	Gasarm	Lever, Throttle	(B&S 450-500 Series - Ggp 150 cc)
6	1	81007220/0	Gasarm	Lever, Throttle	
6	1	81007279/1	Gasarm	Lever, Throttle	(B&S 625-675-700 Series - Honda - Ggp 140-160-196 cc)
6	1	81007279/1	Gasarm	Lever, Throttle	
7	1	81007080/0	Gaswire	Cable, Trottle	
8	1	12815000/0	Skruv	Screw	
9	1	114356905/0	Dekal	Label	
9	1	114356905/0	Dekal	Label	(Honda GCV 160-190 Autochoke)
9	1	114356905/0	Dekal	Label	(B&S 700 series DOV)
9	1	114364264/0	Dekal	Label	
9	1	114364264/0	Dekal	Label	AVS (GGP 160-196)
9	1	14356702/0	Dekal	Label	(GGP)
9	1	14356702/0	Dekal	Label	(Honda)
9	1	14356702/0	Dekal	Label	
9	1	14356703/0	Dekal	Label	
9	1	14356703/0	Dekal	Label	(B&S)



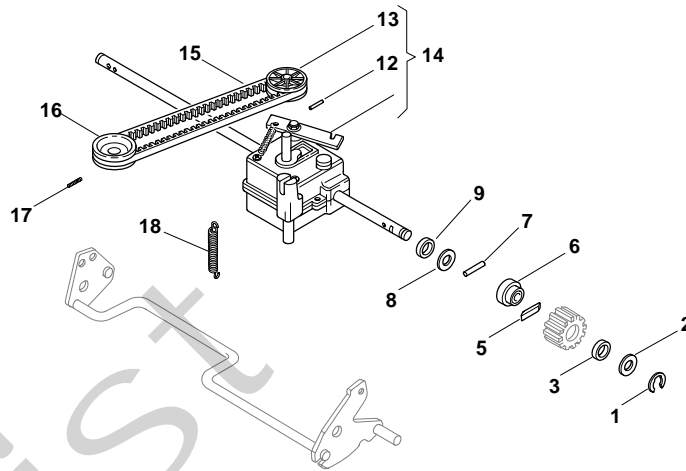
Pos. Fig.	Antal Quantity	Art No Part No	Benämning	Description	Anmärkning Notes
1	1	81002657/0	Chassi	Deck Yellow	504
1	1	81002657/0	Chassi	Deck Yellow	
2	3	112735108/1	Skruv	Screw	
3	1	22060152/0	Klpa-gul	Protection, Yellow	
3	1	22060152/0	Klpa-gul	Protection, Yellow	504
4	3	12728300/0	Skruv	Screw	
9	1	12728300/0	Skruv	Screw	
10	1	22108277/0	Bakstam	Rear Conveyor Assy	504 - 554
10	1	22108277/0	Bakstam	Rear Conveyor Assy	
11	3	12735664/0	Skruv	Screw	
15	1	22109531/0	Lock	Cover	
16	1	81008658/1	Skruvsats	Outfit, Supports	
21	2	22545160/0	Överfall	Plate	
22	2	12735664/0	Skruv	Screw	
23	2	12604898/0	Lísbricka	Crown Fastener	
24	1	22446181/0	Fjäder	Spring	
25	2	22785153/0	Bussning	Support, Gear Box	
26	4	12735664/0	Skruv	Screw	
31	1	22399808/0	Handtag	Knob	
32	1	22321515/0	Höjdinst.spak	Lever, Height Adjustment	
33	2	12735661/0	Skruv	Screw	
34	2	12728300/0	Skruv	Screw	
35	1	22735563/0	Höjdinst.sektor	Sector, Height Adjustment	
41	1	22140231/0	Mulchplugg	Deflector	
41	1	22140231/0	Mulchplugg	Deflector	504



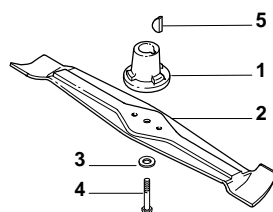
Pos. Fig.	Antal Quantity	Art No Part No	Benämning	Description	Anmärkning Notes
1	1	81006618/1	Styre-överdel	Handle, Upper Part	504 - 554
1	1	81006618/1	Styre-överdel	Handle, Upper Part	
2	1	81003298/1	Reglagebygel	Lever, Engine Brake	
3	1	81000687/0	Motorbromswire	Cable, Thread Motor Brake	504 (Honda Gcv 135-160-190)
3	1	81000687/0	Motorbromswire	Cable, Thread Motor Brake	
3	1	81000688/0	Motorbromswire	Cable, Thread Motor Brake	
3	1	81000688/0	Motorbromswire	Cable, Thread Motor Brake	504 (Ggp 160cc)
3	1	81000688/0	Motorbromswire	Cable, Thread Motor Brake	504 (B&S 625-675 Series)
4	1	81000697/0	Kopplingswire	Cable, Rear Drive	
5	1	81003297/1	Reglagebygel-drivning	Driving Lever	
6	1	12727783/0	Skruv	Screw	
7	1	22551640/0	Wirefäste	Plate	
8	1	12154510/0	Mutter	Nut	

TURBO 50 S RENTAL - Model Year 2009


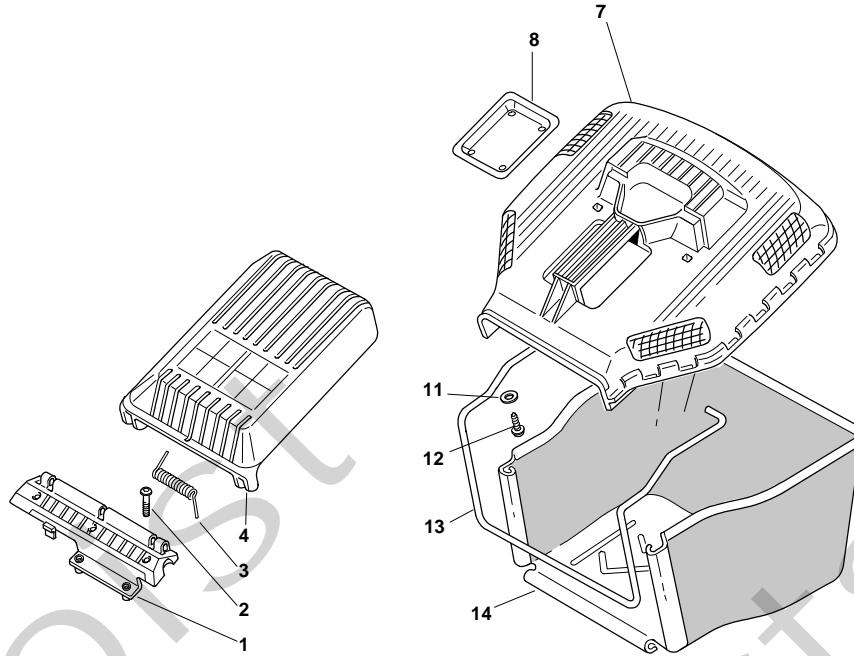
Pos. Fig.	Antal Quantity	Art No Part No	Benämning	Description	Anmärkning Notes
1	1	81002845/0	Hjulaxel	Axle, Front Wheels	504
1	1	81002845/0	Hjulaxel	Axle, Front Wheels	
2	2	22430210/0	Fjäder	Spring	
3	2	12521370/0	Bricka	Washer	
4	4	22122200/0	Kullager	Bearing	
5	2	81007351/0	Hjul	Wheel	
6	2	12521460/0	Bricka	Washer	
7	2	12735662/0	Skruv	Screw	
8	2	22110491/0	Navkapsel	Hub Cap Grey	
9	1	22033322/0	Höjdinst.stång	Rod, Height Adjustment Control	504
9	1	22033322/0	Höjdinst.stång	Rod, Height Adjustment Control	
10	1	81002823/0	Hjulaxel	Axle, Rear Wheels	
11	2	22430215/0	Fjäder	Spring	
12	2	22600121/0	Hjulskydd	Protection, Wheel	
13	2	12521460/0	Bricka	Washer	
14	2	12735662/0	Skruv	Screw	
15	2	22570125/0	Drev	Pinion	
17	2	81007361/0	Hjul	Wheel	504
17	2	81007361/0	Hjul	Wheel	
18	4	22122201/0	Kullager	Bearing	504
18	4	22122201/0	Kullager	Bearing	
19	2	12521460/0	Bricka	Washer	
20	2	12735662/0	Skruv	Screw	
21	2	381004363/0	Navkapsel	Hub Cap	



Pos. Fig.	Antal Quantity	Art No Part No	Benämning	Description	Anmärkning Notes
1	2	12000957/0	Låsring	Benzing	
2	2	12520032/0	Bricka	Washer	
3	2	22160520/0	Dammskydd	Dust Cover	
5	2	22076645/0	Kil	Key	
6	2	22170630/0	Distans	Spacer	
7	2	22753002/0	Stift	Pin	
8	2	12520032/0	Bricka	Washer	
9	2	19035152/0	Tätningring	Or Ring	
12	1	12620310/0	Stift	Pin	
13	1	22601913/0	Remskiva	Pulley	
14	1	81003085/0	Transmission	Gear Box	504 - 554
14	1	81003085/0	Transmission	Gear Box	
15	1	35063175/0	Drivrem	Belt	504
15	1	35063175/0	Drivrem	Belt	
16	1	22601918/0	Remskiva	Pulley	
17	1	12714312/0	Stift	Dowel	
18	1	22450434/0	Fjäder	Spring	



Pos. Fig.	Antal Quantity	Art No Part No	Benämning	Description	Anmärkning Notes
1	1	22465618/0	Nav	Hub	504
2	1	81004143/0	Kniv	Blade	
2	1	81004143/0	Kniv	Blade	
3	1	12530140/0	Bricka	Washer	
4	1	12735698/0	Skruv	Screw	
5	1	12139100/0	Kil	Key	



Pos. Fig.	Antal Quantity	Art No Part No	Benämning	Description	Anmärkning Notes
1	1	22785157/0	Luckfäste-gul	Support, Yellow	504-554
1	1	22785157/0	Luckfäste-gul	Support, Yellow	
1	1	22785179/0	Luckfäste	Support, Black	
1	1	22785179/0	Luckfäste	Support, Black	504-554
2	3	12735664/0	Skruv	Screw	
3	1	22450443/0	Fjäder	Spring	
4	1	22600068/1	Lucka	Stone-Guard	504-554
4	1	22600068/1	Lucka	Stone-Guard	
4	1	22600069/1	Lucka	Stone-Guard, Yellow	
4	1	22600069/1	Lucka	Stone-Guard, Yellow	504-554
7	1	22486095/0	Uppsamlare-överdel	Grass-Box, Upper Part	
7	1	22486095/0	Uppsamlare-överdel	Grass-Box, Upper Part	504-554
8	1	22486098/0	Platta	Plate	
11	2	12521460/0	Bricka	Washer	
12	2	12728300/0	Skruv	Screw	
13	1	22608528/0	Trådbygel	Stiffening Lower	
13	1	22608528/0	Trådbygel	Stiffening Lower	504-554
14	1	81002235/0	Uppsamlingssäck	Box, Fabric	
14	1	81002235/0	Uppsamlingssäck	Box, Fabric	504-554